

PROJECT: TYPE:

LOCATION: CAT:

Description

Economical and versatile tape light with RGB + Tunable White capable light output and run lengths up to 13.1ft

Features

- Unjacketed (IP54) rating
- Linking accessories, controllers, receivers, power supplies, and extrusions are available for Tape light (sold separately)

Mounting

Surface mount via attached 3M adhesive tape, mounting clips, or aluminum extrusions (sold separately)

Applications

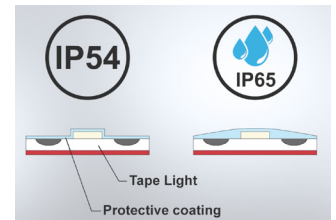
Task or accent lighting, edge lighting, cabinetry, shelving, coves, staircases, toe kicks, railings, display cases



Technical Information

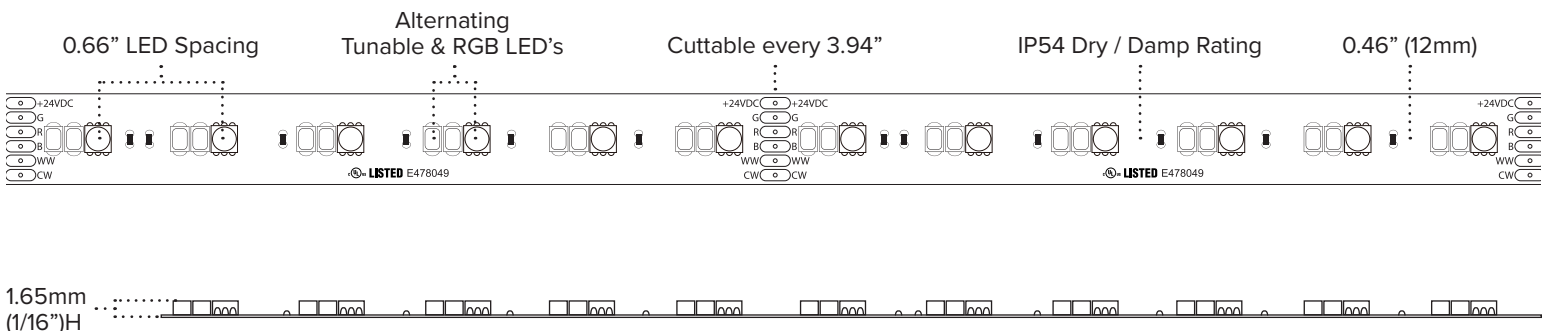


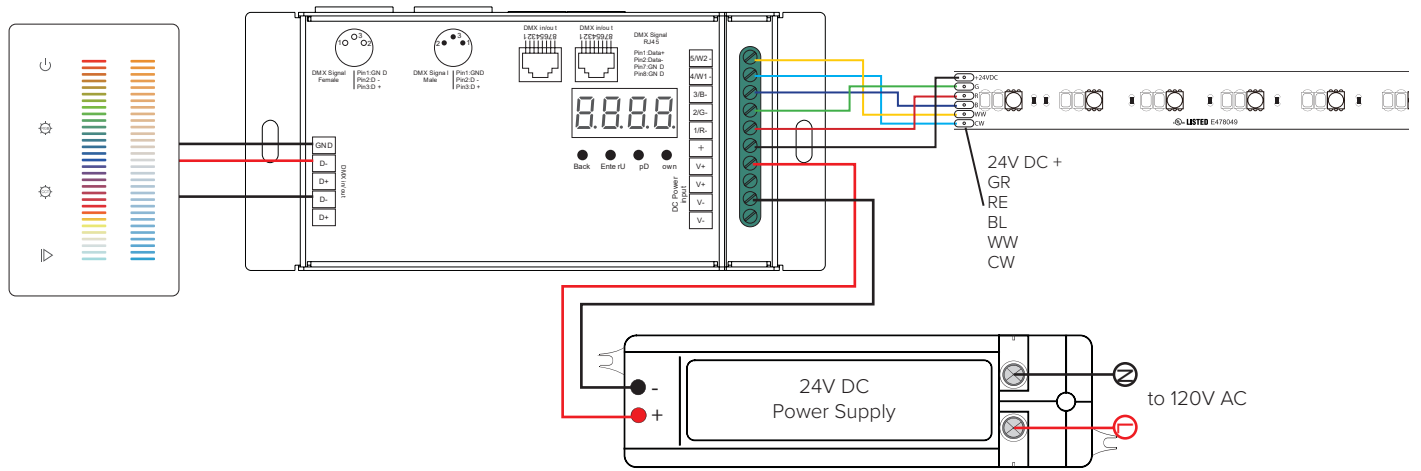
IP Rating	IP54
Voltage	24V DC
CCT	RGB + Tunable CCT 2700K-6000K
CRI	90+
Wattage	7W/ft
Lumens	up to 360Lm/ft
Max Run	13.1ft
Cutting	3.94"
Dimming	Controllers or DMX control
LED Type	Alternating 2700K & 6000K Tunable & RGB LEDs
Beam	120°
Operating Temp	5°C (41°F) to 70°C (158°F)
Ambient Temp	-20°C (-4°F) to 40°C (104°F)
Rating	cULus Listed, dry location
Rated Life	50,000 Hours



When using standard snap connectors, it is recommended to scrape off the coating from each conductor to ensure a proper connection. When using heavy duty snap connectors, this is only necessary for IP65 and IP68 types.

Dimensions: TLX IP54 Unjacketed





Ordering Information

24V 13.1ft Reels RGBTW Series

PRIZM	TAPE LIGHT TYPE	IP RATING	VOLTAGE	CCT	LENGTH
PZM	TLX	54	24V	RGBTW	13
	TLX = Premium Grade	54 = IP54	24V = 24 Volts	RGBTW = RGB+TW	13 = 13.1 feet

PZM-TLX-RGBTW (IP54) 13.1ft Reels include:
Attached 3ft lead wire, (3) TL-6PWR power connectors

Recommended Power Supplies

SERIES	RATED POWER AVAILABLE
ADPT-DRJ Series	30W, 60W, 96W, 192W, 288W

RGB+TW Control Options

Image	Part Number	Description
RGB+TW DMX Controllers		
	DMX-RGBTW-1Z	RGB+Tunable White DMX Control; Touch Slide Wall Mount; 1 zone; 12V/24V DC input; Requires the use of DMX receiver REC-DMX-RJ45A-5CH
5 Channel DMX Receivers		
	REC-DMX-RJ45A-5CH	DMX Receiver; 12V/24V DC input; channel; RJ45 and XLR3 capable; For use with DMX Control

Connection Accessories

Image	Part Number	Description
	TL-6PWR	IP54 Power feed snap connector to bare wires (4-wire)
	TL-6JUMP-.5	6" IP54 Tape-to-tape snap jumper (6-wire)
	TL-6JUMP-1	12" IP54 Tape-to-tape snap jumper (6-wire)
	TL-6JUMP-2	24" IP54 Tape-to-tape snap jumper (6-wire)
	TL-6SPL	IP54 In-line splice snap connector (6-wire)