

PROJECT:	TYPE:
LOCATION:	CAT:

### Description

Flexible LED linear lighting that mimics the look of neon in a brighter, longer lasting format that consumes less power

### Features

- PU construction provides excellent UV, salt water, chlorine, high temperature, and impact resistance
- Weatherproof IP67 outdoor rating
- Vertical flexibility (relative to light source)
- Quick-ship skus or special order options

### Mounting

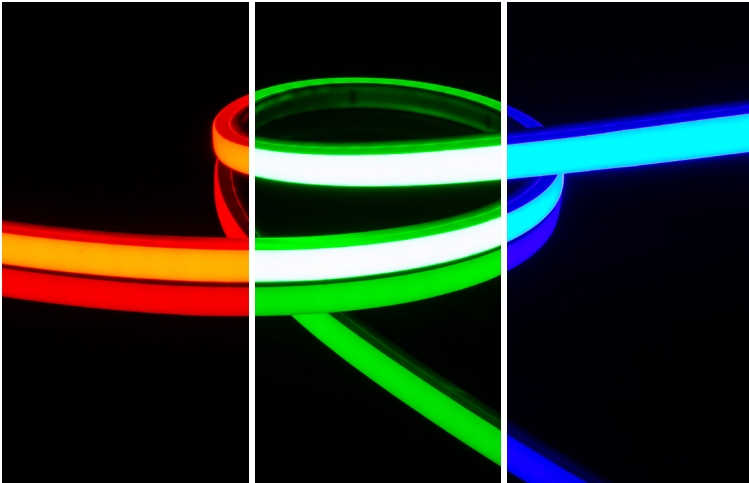
Aluminum channel or mounting clips

### Applications

Outlining building facades and roof-lines, columns and pillars, coves and eaves

### Warranty

5 Years

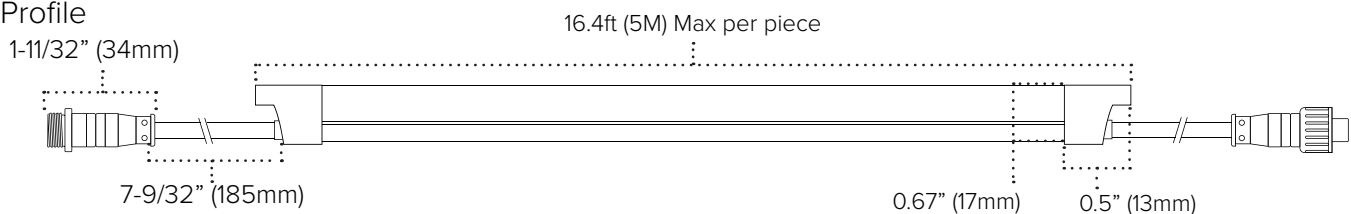


## Technical Information

Input Voltage	24V DC Constant Voltage
Max Current	0.416A per meter / 0.127A per foot
Max Power	10W per meter / 3.05W per foot
Color	RGB
Lumens	121Lm/ft
Cut Increments	100mm (3.94")
Max Run	5 meters (16.4 feet) interconnected
Dimming	Requires RGB Control
Ambient Temp	-30°C (-22°F) to 80°C (176°F)**
Rating	cETLus Listed; Indoor/Outdoor; IP67
Rated Life	50,000 Hours

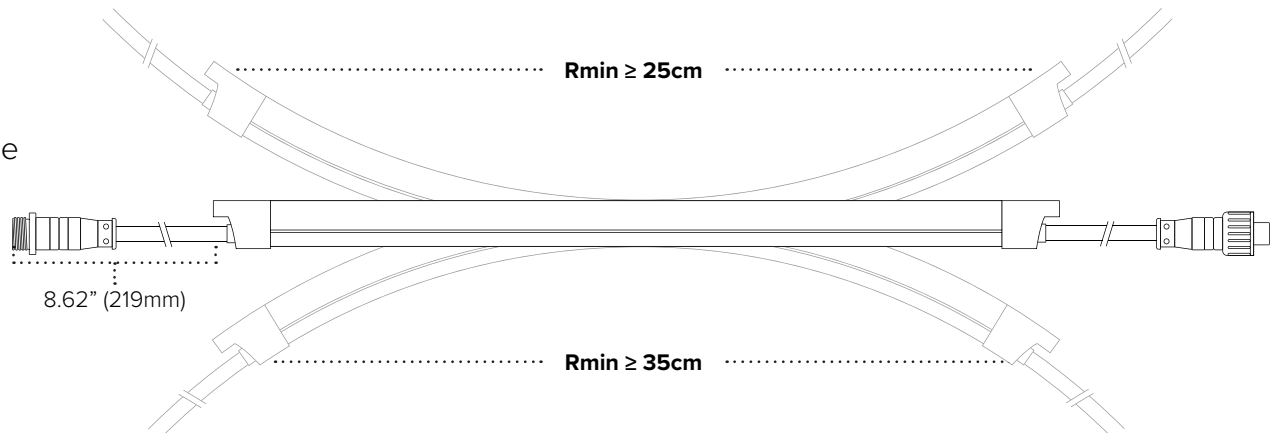
\*Minimum loads may apply. Per the NEC, switched wall outlets cannot be used with wall dimmers. \*\*Do not install during inclement weather or extreme temperature conditions (i.e. -25°C (-13°F) and below)

### Side Profile



Rmin ≥ 25cm

### Top Profile



Rmin ≥ 35cm

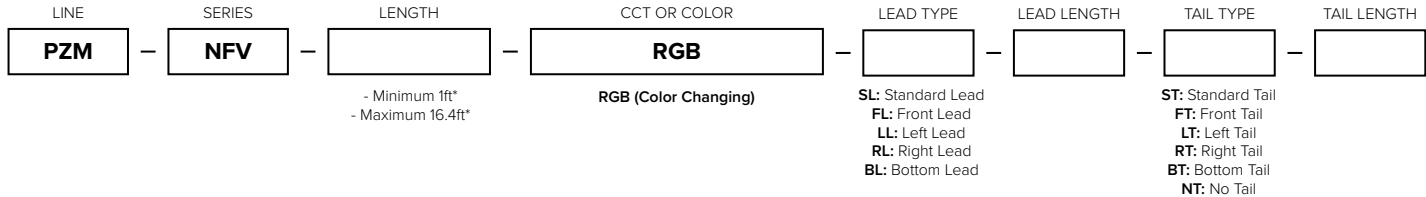
## Quick-Ship Order Information

FIXTURE	ITEM NUMBER
4FT NEOFLUX V-SERIES RGB (48-3/4" length)	<b>PZM-NFV-4-RGB</b>
8FT NEOFLUX V-SERIES RGB (96-1/2" length)	<b>PZM-NFV-8-RGB</b>
ACCESSORY	ITEM NUMBER
4FT ALUMINUM CHANNEL FOR NEOFLUX V-SERIES	<b>PZM-NFV-CHAN-4</b>
4FT FLEXIBLE ALUMINUM CHANNEL FOR NEOFLUX V-SERIES (SPECIAL ORDER)	<b>PZM-NFV-CHANFLEX-4</b>
1FT 4PIN JUMPER CABLE FOR NEOFLUX RGB	<b>PZM-NF-4JUMP1</b>
10FT 4PIN JUMPER CABLE FOR NEOFLUX RGB	<b>PZM-NF-4JUMP10</b>
BAG OF 8 MOUNTING BRACKET FOR NEOFLUX V-SERIES	<b>PZM-NFV-CLIPS</b>
BAG OF 10 END CAPS FOR NEOFLUX V-SERIES	<b>PZ-NFV-END</b>

Each quick-ship length of Neoflux includes: attached 8" Lead & Tail with WHITE IP68 connection, 3ft conkitt to bare wire with female screw-on connection, 1 mounting clip per foot, and 2 end caps

## Special Order Information

Please allow 12-16 weeks for special order items



\*For special orders, please contact us at: [Quotes@PrizmLighting.com](mailto:Quotes@PrizmLighting.com)

## Recommended Power Supplies

SERIES	RATED POWER AVAILABLE
LED-DR Series	<b>30W, 60W, 96W, 150W</b>
ADPT-DRJ Series	<b>30W, 60W, 96W</b>

**PZM-NFV-CHAN-4**  
Dimensions

