

PROJECT:

TYPE:

LOCATION:

CAT:



Black



White

**Description**

Individually addressable LED pixel light string

**Features**

- Individually addressable LED pixel dots
- 16-bit color resolution with DMX512 control
- 6 RGB SMD LEDs + 3 White SMD LEDs per dot
- Polycarbonate lens available in 3 styles
- Light weight PC housing with multiple mounting options
- Custom spacing on UL94V-0 cable
- Anti-UV, VO flame retardant coating
- Class III electrical safety level

**Mounting**

Clips or track available

**Applications**

Point light source, curtain walls, 3D shapes

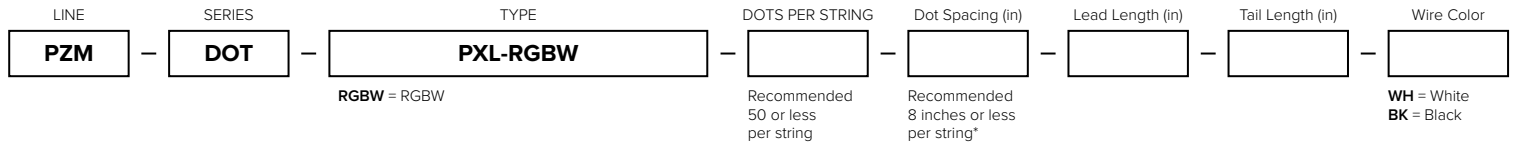
## Technical Information



CCT	RGBW
Input Voltage Range	24V DC
Max Power	1.8W per dot
Power Factor	0.8
Max Power Linking	Dependant on controller + driver
Max Signal Linking	Dependant on controller + driver
Max Lumens	30 per dot
Data Protocol	DMX512; IC SM16512
Address	Each dot individually addressable
Refresh Rate	>1000Hz
Beam Angle	120°
Net Weight	35g (0.077Lbs)
Operating Temp	-35°C (-31°F) ~ 60° (140°F)
Storage Temp	-40°C (-40°F) ~ 70° (158°F)
Operating Humidity	10-90%
IP Grade	IP67
Safety Rating	cETLus Listed; Wet locations; CE; RoHS
Rated Life	80,000 Hours (operating temperature <50°C)

## Special Order Information

Please allow 12-16 weeks for special order items

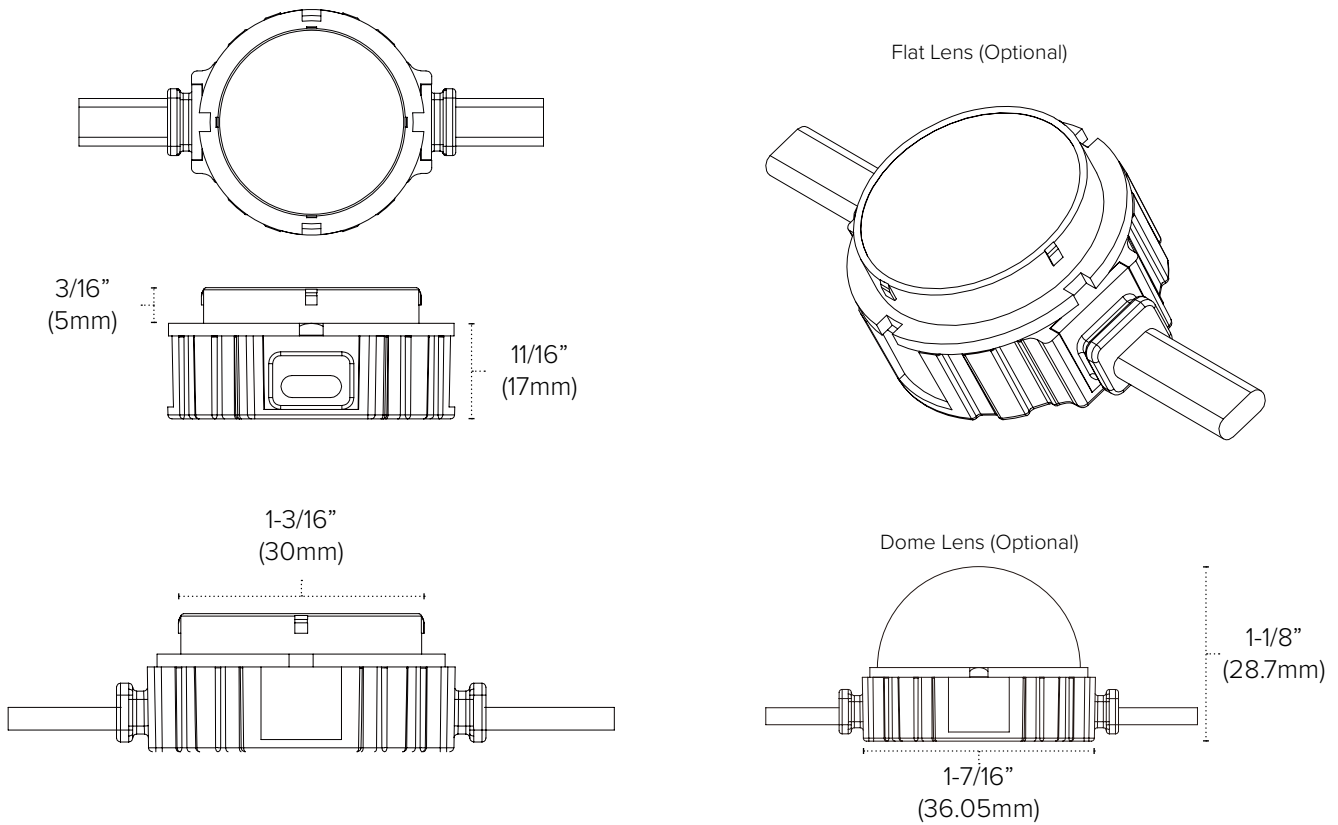


\*Recommended 32.8ft (10M) or less string length when using spacing >200mm  
 Additional mounting and connection accessories may be required dependent on design and layout  
 Pixel Dot is available as special order only. For special orders, please contact us at: [Quotes@PrizmLighting.com](mailto:Quotes@PrizmLighting.com)

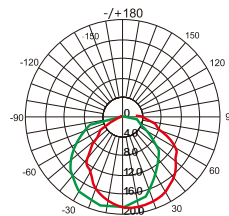
## Quick-Ship & Accessory Order Information

FIXTURE	ITEM NUMBER
4" on center, 50 nodes, 36" lead & no tail, WHITE, not interconnectable	<b>PZM-DOT-PXL-RGBW-50-4-36-0-WH</b>
12" on center, 25 nodes, 36" lead & no tail, WHITE, not interconnectable	<b>PZM-DOT-PXL-RGBW-25-12-36-0-WH</b>
4" on center, 50 nodes, 36" lead & no tail, BLACK, not interconnectable	<b>PZM-DOT-PXL-RGBW-50-4-36-0-BK</b>
12" on center, 25 nodes, 36" lead & no tail, BLACK, not interconnectable	<b>PZM-DOT-PXL-RGBW-25-12-36-0-BK</b>
ACCESSORY	ITEM NUMBER
Frosted Flat lens for Pixel Dots (clips on to the housing)	<b>PZM-DOT-LENS-FLAT-FR</b>
S14 Lens Clip & Bulb for Pixel Dots, Frosted	<b>PZM-DOT-LENS-S14-FR</b>
Plastic Mounting Clips for Prizm Pixel Dot	<b>PZM-DOT-CLIP</b>
15FT 16#AWG Connection cable with female connector	<b>PZM-PXL-CONKIT-15</b>
12 inch Jumper Cable, male and female connector	<b>PZM-PXL-JUMP12IN</b>
SPECIAL ORDER ONLY (Please allow 12-16 weeks for special order items)	ITEM NUMBER
Frosted Dome lens for Pixel Dots (molded on to the housing at factory)	<b>PZM-DOT-LENS-DOME-FR</b>
T-Connector Power/signal cable	<b>PZM-PXL-TCON</b>
End connector, waterproof for last lighting	<b>PZM-PXL-END</b>
12ft Signal Jumper Cable, male and female connector with positive off	<b>PZM-PXL-JUMP12-SIG</b>
24ft Signal Jumper Cable, male and female connector with positive off	<b>PZM-PXL-JUMP24-SIG</b>
36ft Signal Jumper Cable, male and female connector with positive off	<b>PZM-PXL-JUMP36-SIG</b>
12ft Jumper Cable, male and female connector	<b>PZM-PXL-JUMP12</b>

Physical Dimensions



Additional Information



Illumination Icon

Height (m)	Average Illumination (lx)	Diameter (cm)
1m	5,408.18.65	298.19
2m	1,352.4.663	596.39
3m	0.6009.2.072	894.58
4m	0.3380.1.166	1,192.78
5m	0.2163.0.7457	1,490.97

sight (m) Average Illumination (lx) Diameter (cm) †