

PROJECT: \_\_\_\_\_ TYPE: \_\_\_\_\_

LOCATION: \_\_\_\_\_ CAT: \_\_\_\_\_



### Description

Class 2, dry location, constant voltage driver in either 12V DC or 24V DC outputs

### Features

- Class 2 12V or 24V constant voltage driver
- Available wattages include 30W and 45W
- Dimmable with standard leading edge dimmers (aka forward phase, MLV, Incandescent, TRIAC and trailing edge dimmers (aka 2-wire reverse phase, ELV)
- Slim compact housing design features built-in terminal blocks with integrated wire cover strain reliefs
- cETLus Listed (indoor, dry locations)
- RoHs Compliant

### Mounting

Set upon flat surface or house in an enclosure; Use built-in mounting tabs for attaching to surface

### Applications

Suitable for LED lighting

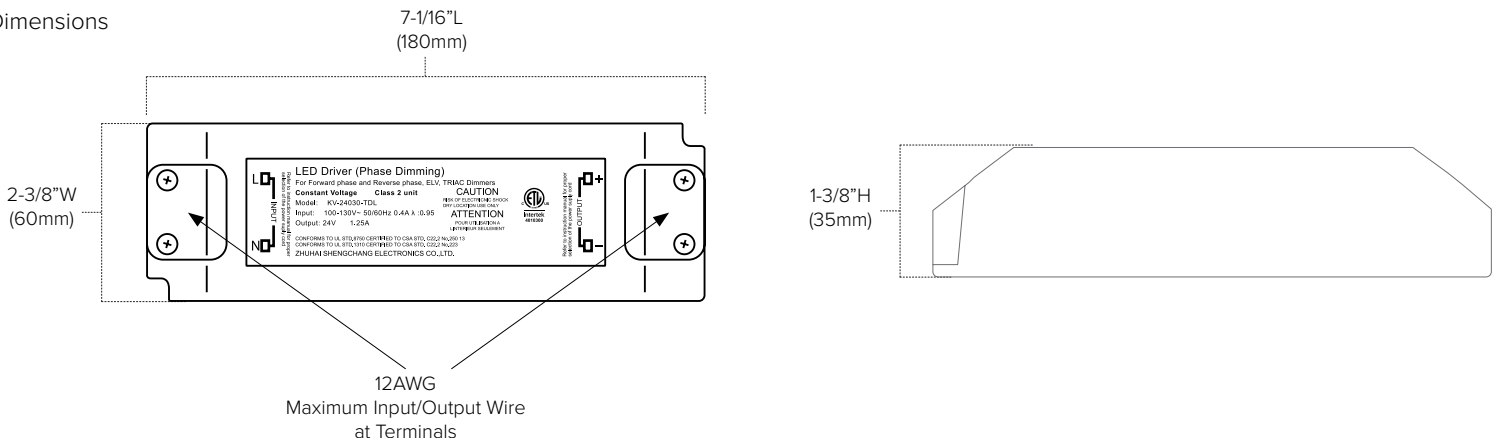
## Technical Information



Model	ELV-30-12	ELV-30-24	ELV-45-12	ELV-45-24
Output DC Voltage	12V DC	24V DC	12V DC	24V DC
Output Current at Max Load	2.5A	1.25A	3.75	1.87
Maximum Load	30W		45W	
Minimum Load	1W (non-dimming); 18W (dimming)		1W (non-dimming); 27W (dimming)	
Input Voltage Range	100-130V AC			
Input Current at Max Load	0.41A		0.61A	
Frequency Range	50/60Hz			
Efficiency	>84%			
Dimming	Dimmable with most standard leading edge dimmers (MLV, Incandescent, TRIAC) and trailing edge dimmers (aka 2-wire reverse phase, ELV)			
Over Current Protect	Yes			
Short Circuit Protect	Yes			
Over Voltage Protect	Yes			
Over Temp Protect	Yes			
Operating Temperature	-22°F to 122°F (-30°C to 50°C)			
Rating	Class 2; cETLus Listed; Indoor, dry locations; RoHS Compliant; FCC Compliant			

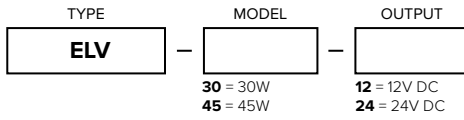
ELV Series drivers are compatible with Prizm lighting control systems, Crestron® lighting control systems, and Vantage by Legrand® lighting control systems

### Dimensions



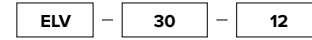
## Ordering Information

**ELV Series  
Driver**



**ELV Dry Location Series Drivers Include**  
(1) Constant Voltage Power Supply

Example Part # ELV-30-12



## NOTES

---

---

---

---

---