

PROJECT:	TYPE:
LOCATION:	CAT:



Description

The Invisible Slot is designed to be used in drywall and other flat surfaces during remodeling or new construction. Subset flanged edges on either side disappear beneath drywall mud for a clean line-of-light look.

Features

- Extruded aluminum construction
- Use tape light, lens, and end caps to create a complete fixture (tape light and accessories sold separately)

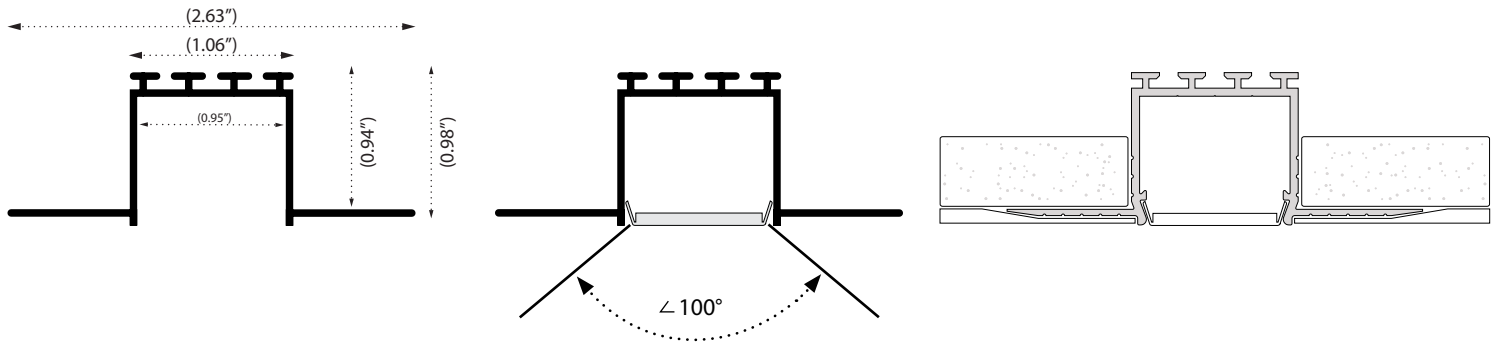
Mounting

Recess mount via screws or construction adhesive during new construction or remodel; seal in flanges during mud work, texturing, and painting.

Applications

Lines of light across walls, ceilings, and other flat surfaces

Profile Dimensions



Ordering Information

Part Number	Description
PE-INVSLLOT-2M	Invisible Slot Aluminum Channel
PE-SLOTLENS-2M	Frosted Polycarbonate UV Resistant/Flame Retardant Lens
PE-INVSLLOT-END	Invisible Slot Polypropylene Plastic End Cap